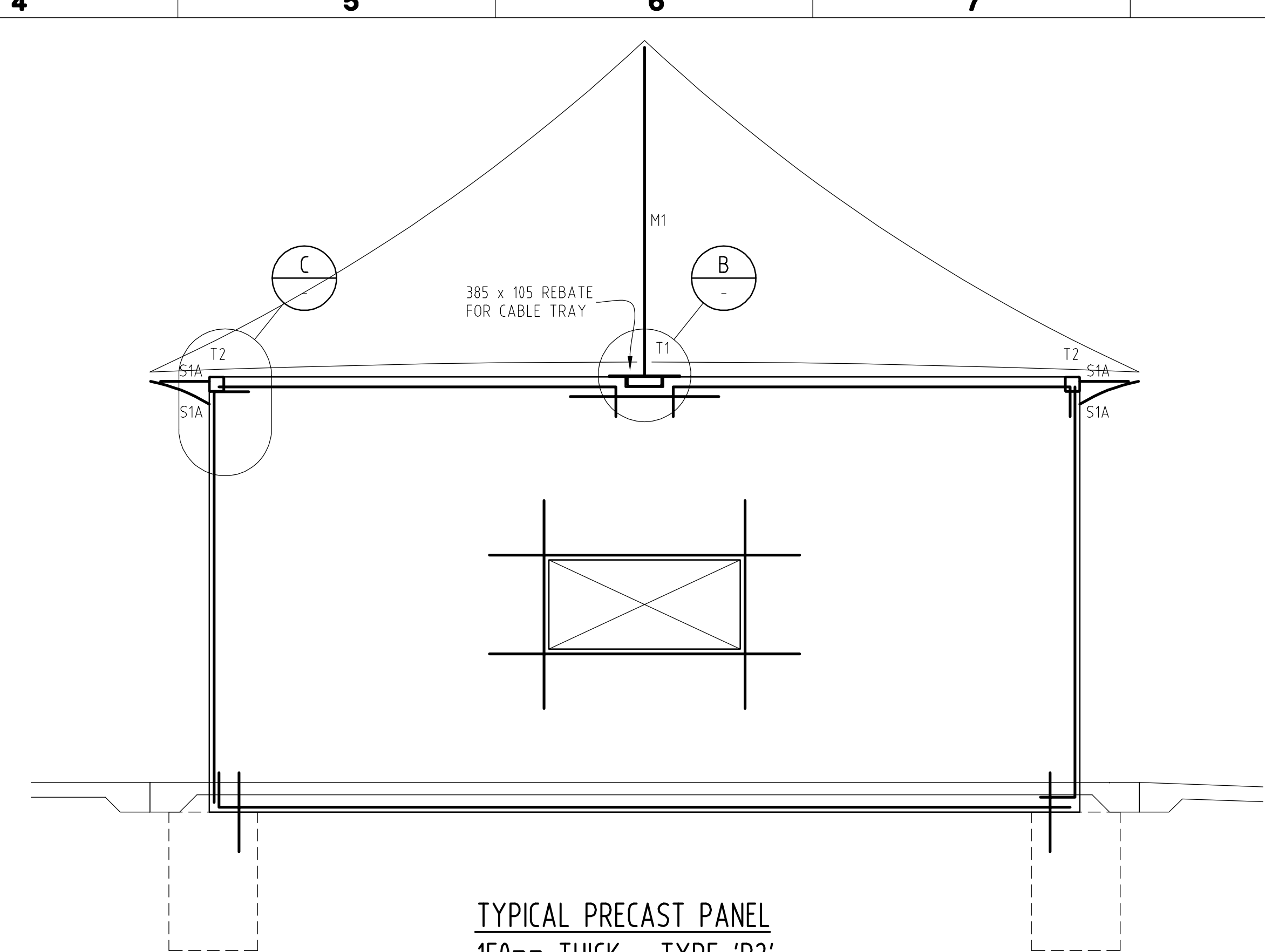
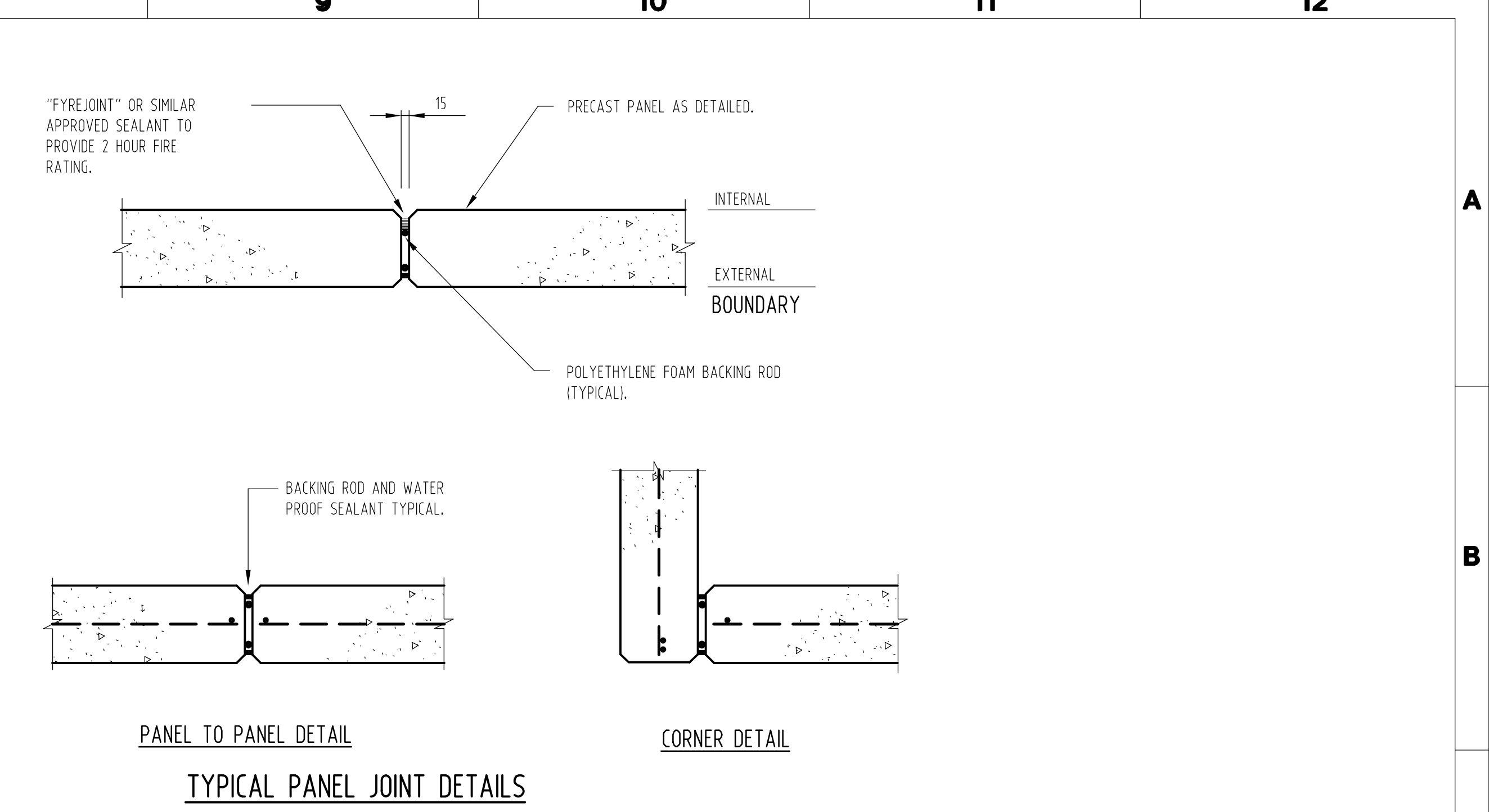


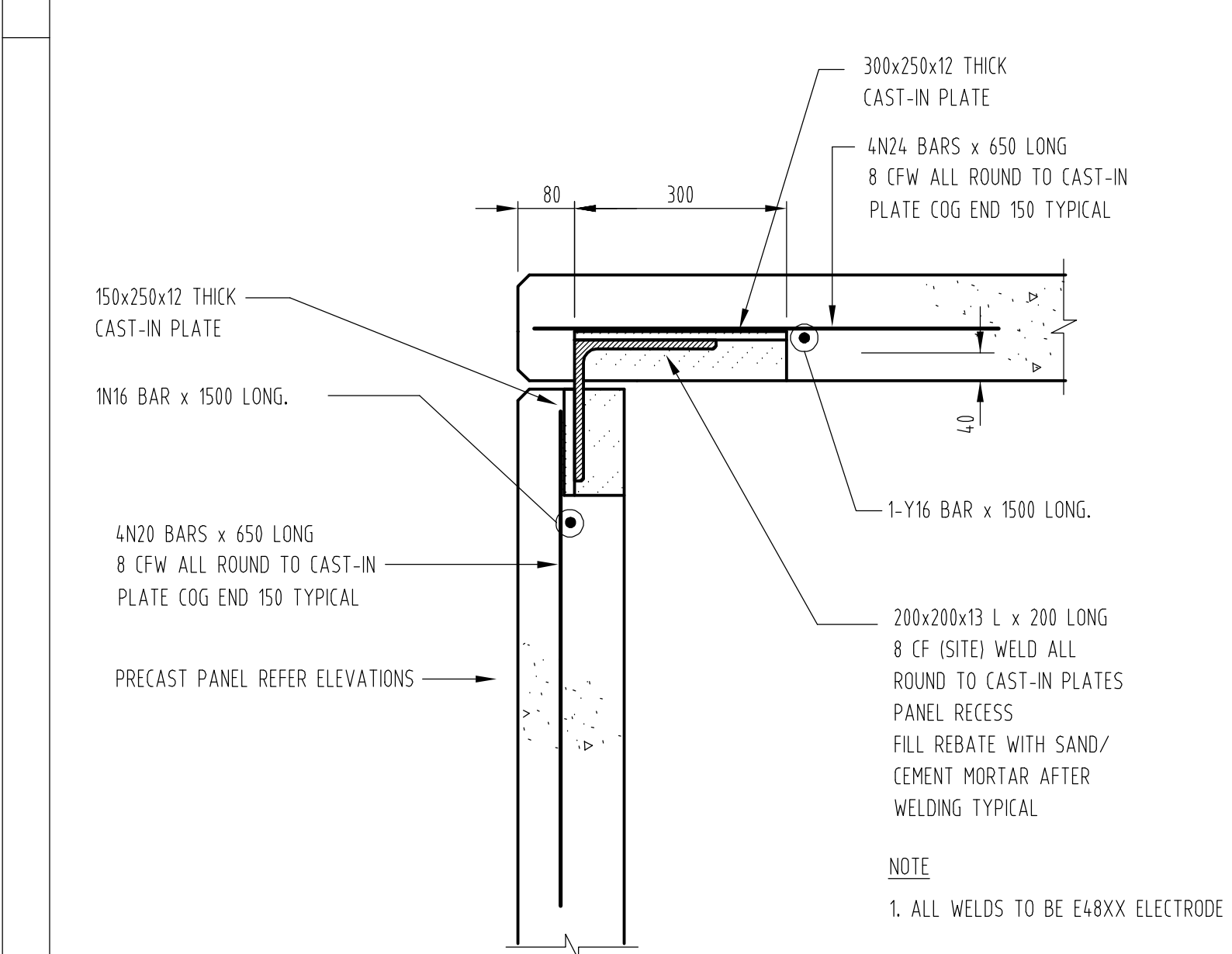
TYPICAL PRECAST PANEL
150mm THICK - TYPE 'P1'
SL92 MESH CENTRAL



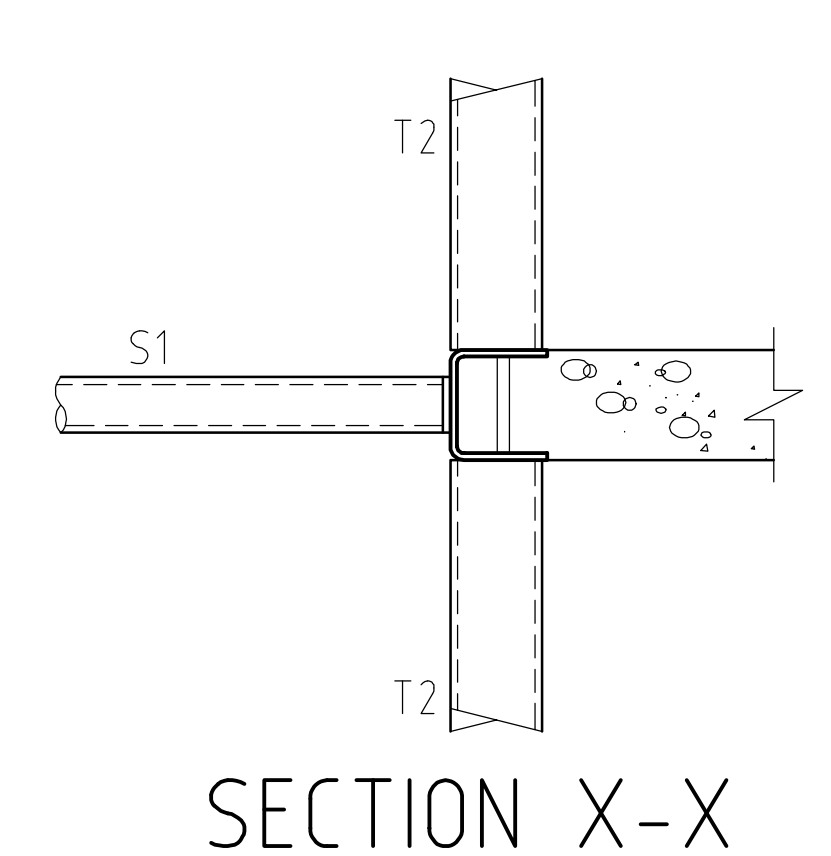
TYPICAL PRECAST PANEL
150mm THICK - TYPE 'P2'
SL92 MESH CENTRAL



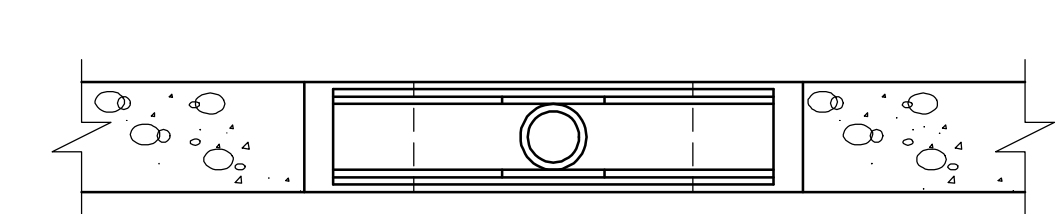
TYPICAL PANEL JOINT DETAILS



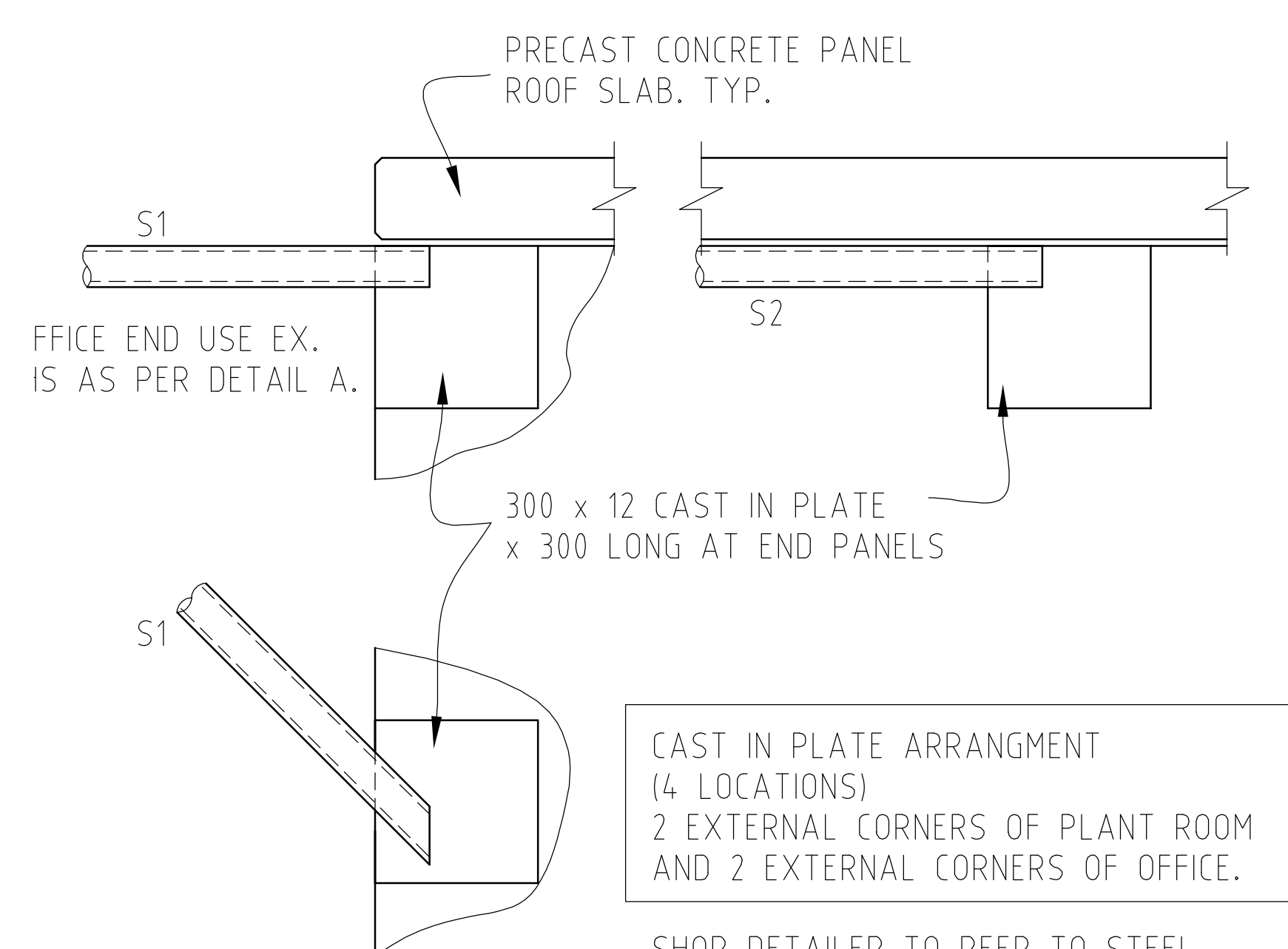
TYPICAL CORNER DETAIL U.N.O.
PROVIDE 1No MIN. FIXINGS TO TOP OF PANELS



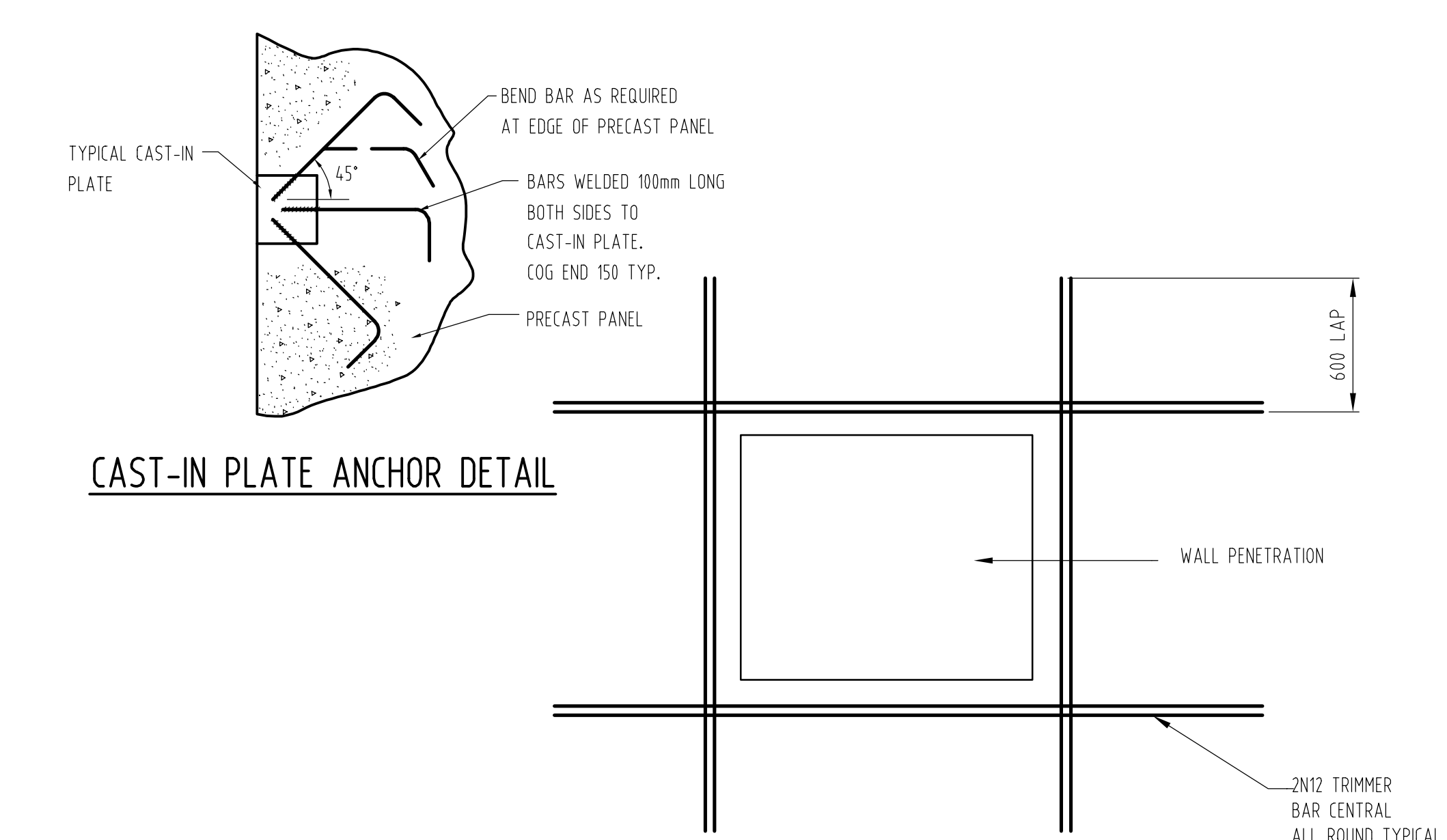
SECTION X-X



SECTION Y-Y

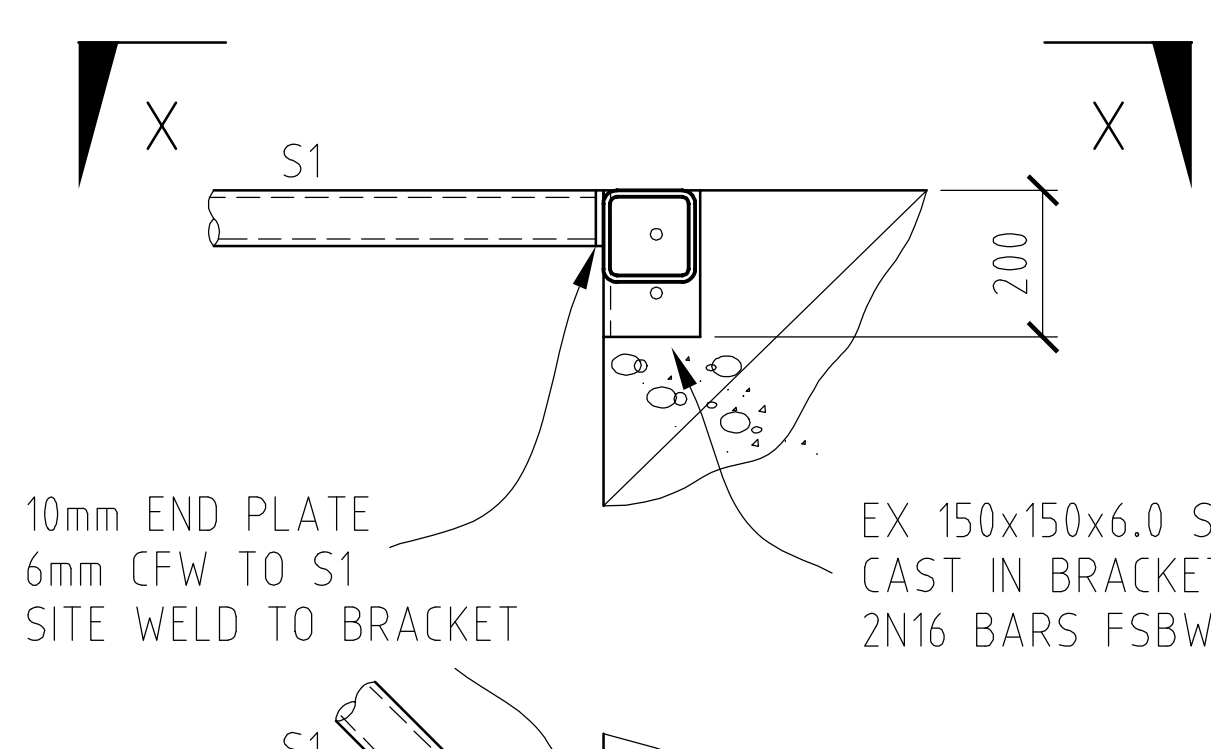


DETAIL D

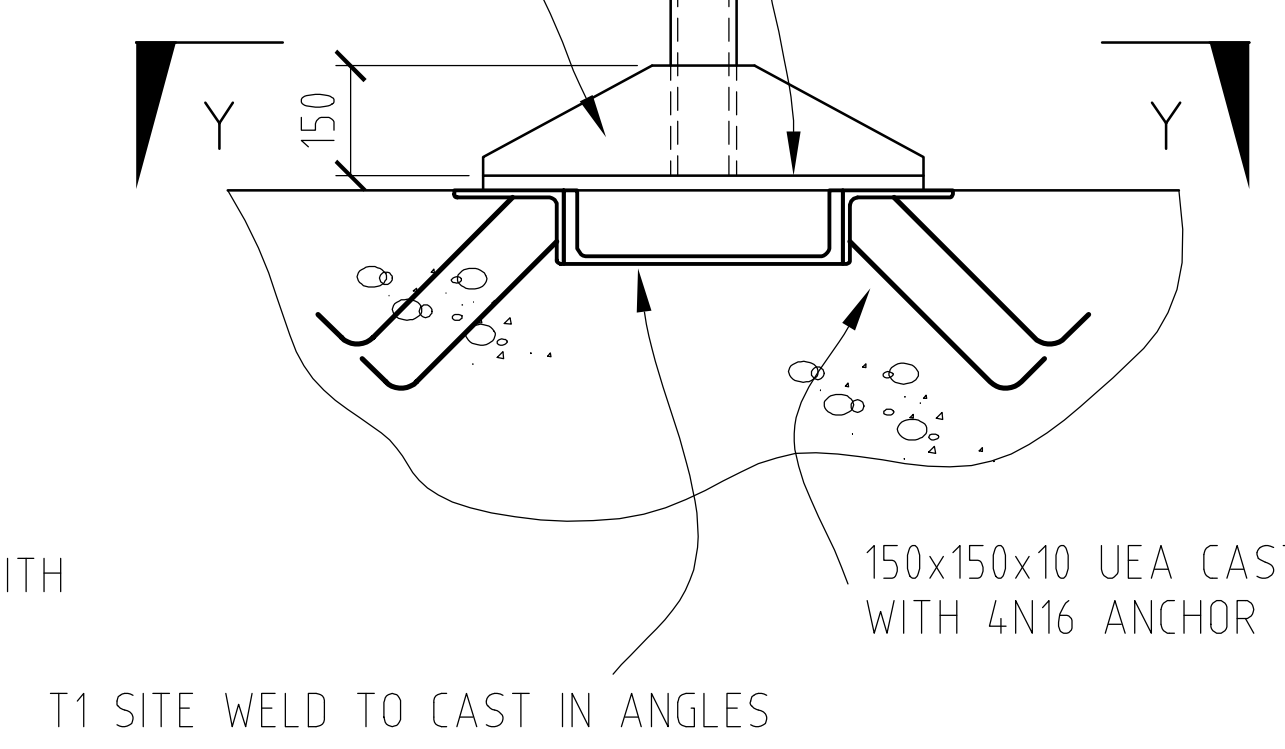


CAST-IN PLATE ANCHOR DETAIL

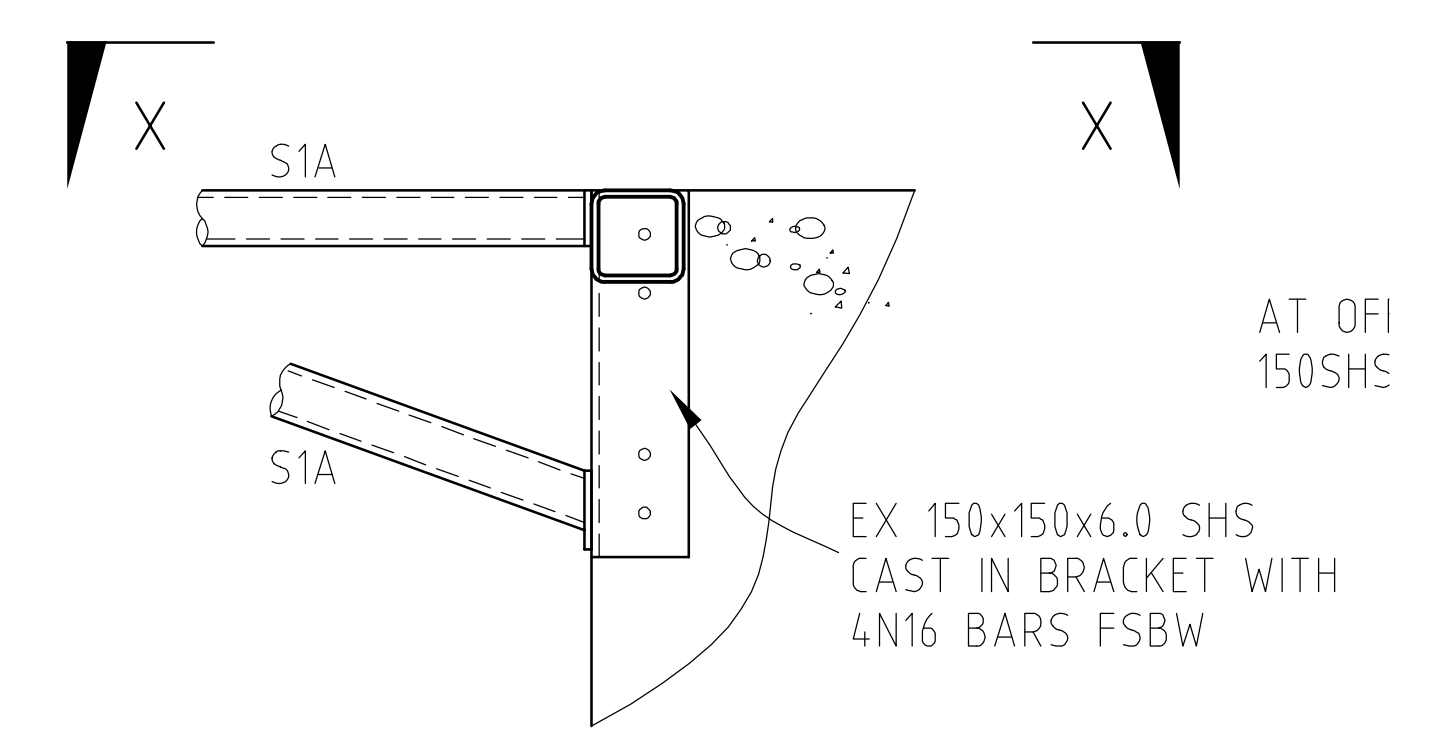
TYPICAL PRECAST PANEL PENETRATION DETAIL



DETAIL A



DETAIL B



DETAIL C

No	DATE	APP'D	AMENDMENT

PRECAST DETAILS

CLIENT		
PROJECT East Ridge Park Maroonah Highway, Mooroolbark		
DRAWN M.C.S.	DESIGNED	APPROVED
DRAWING CHECK	ENGINEERING CHECK	

SCALE 1:100 & 20	DRAWING No 3250-S3	ISSUE
------------------	--------------------	-------