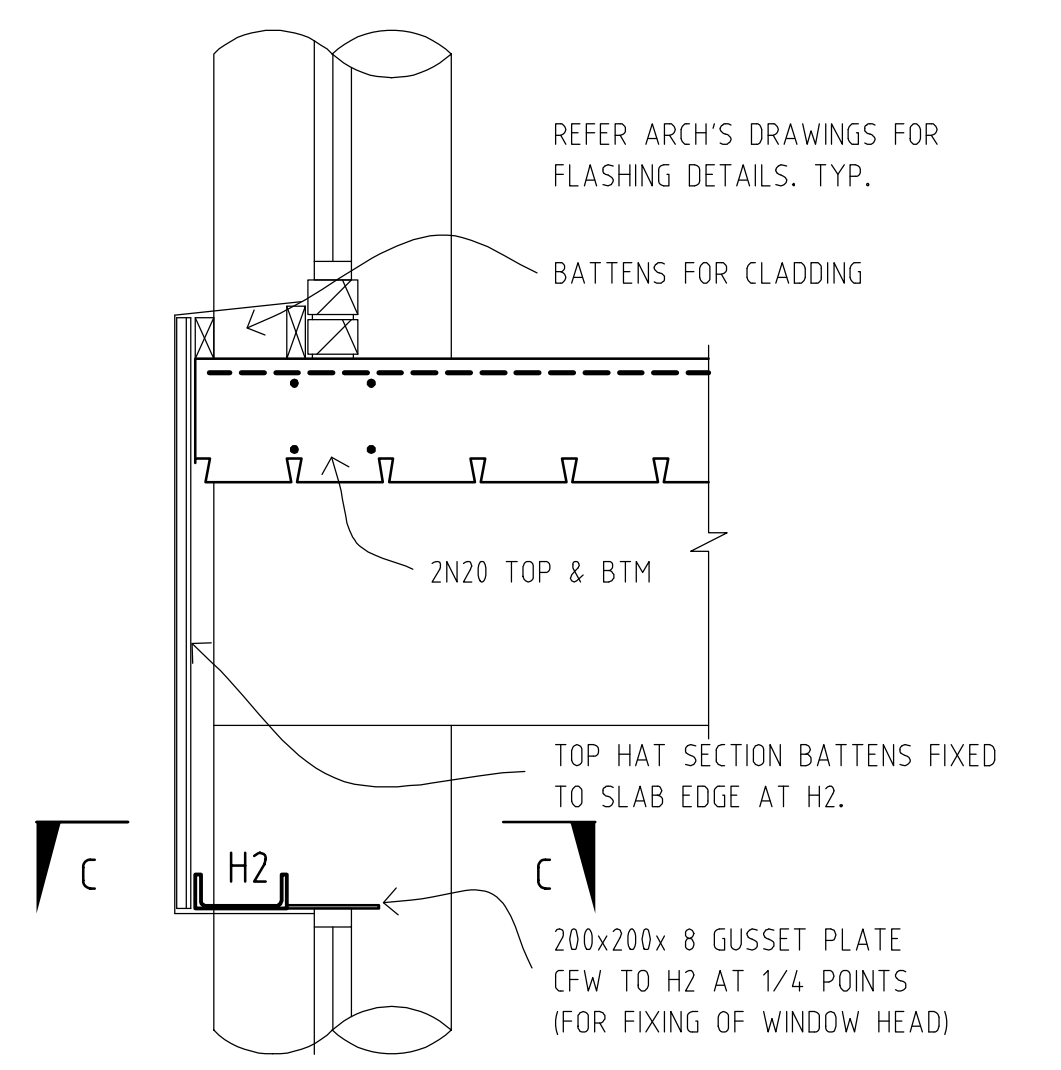
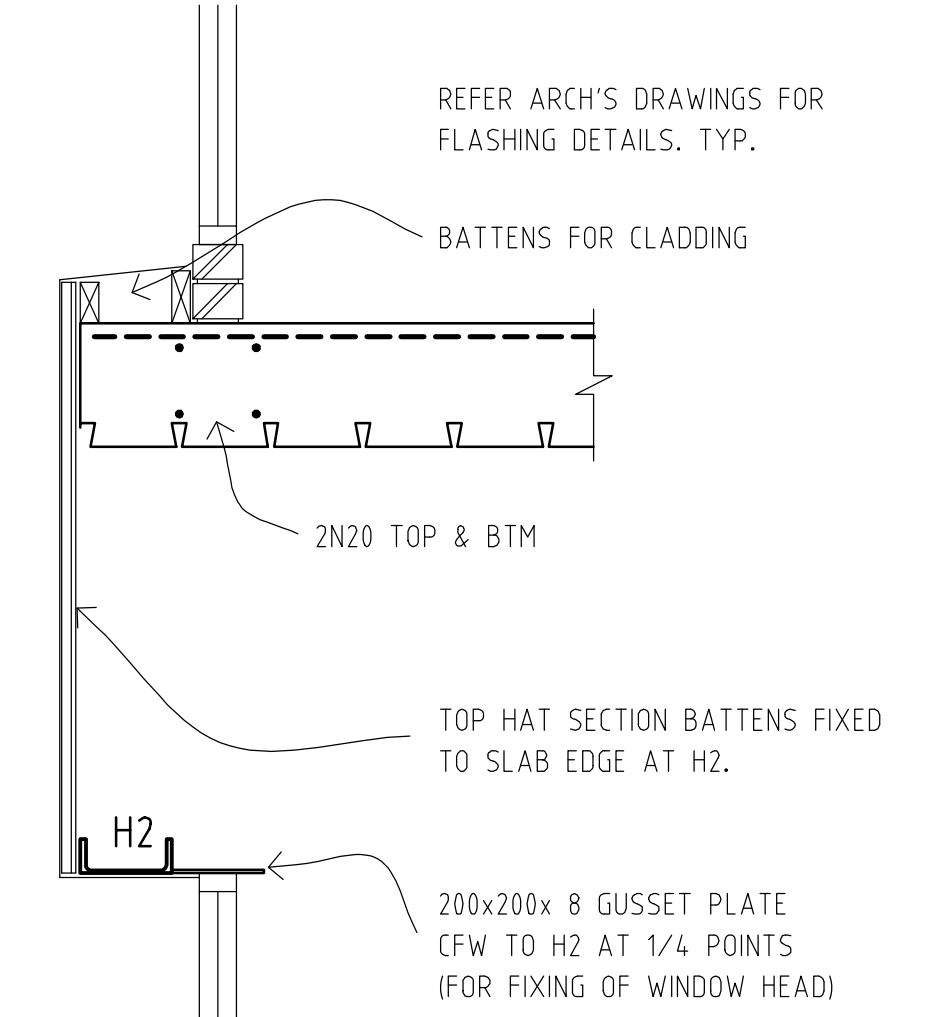


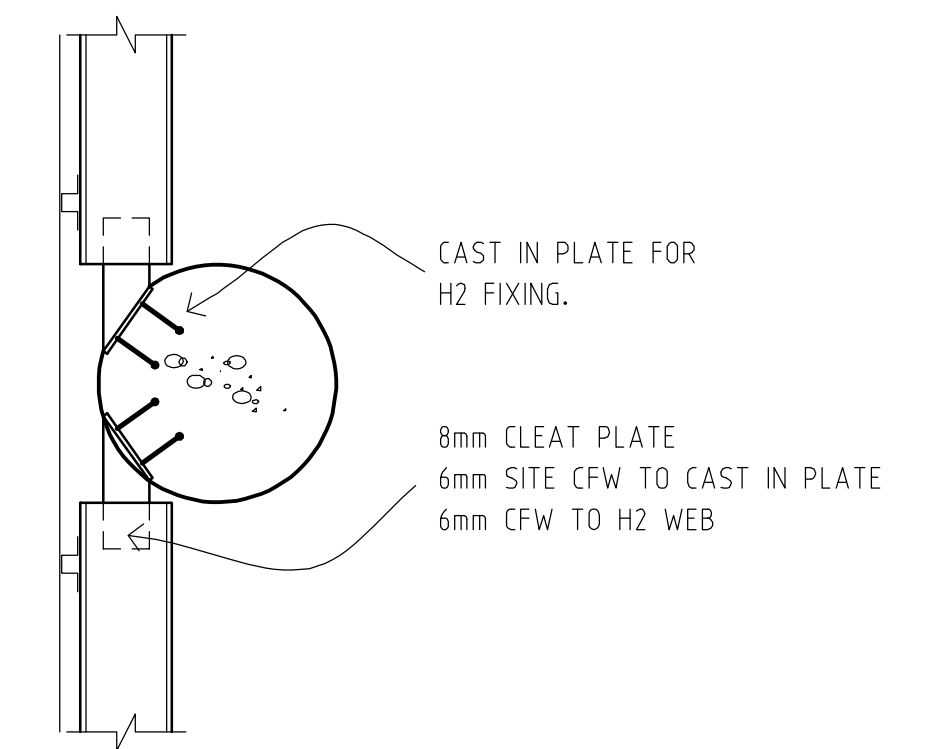
STEELWORK MEMBER SCHEDULE		
MARK	SIZE	REMARKS
RB5	250 x 90 PFC	-
RB6	200UB25	-
RB7	360UB45	-
RB8	530UB82	-
RB9	125x125x5 SHS	-
C1	125x125x5 SHS	-
S1	90x90x5 EA	-
S2	150x150x5 SHS	-
R1	100 x 100 x 10 EA	M16 DYNABOLTS AT 1200 MAX CTRS
BR1	M16 ROD	-



SECTION A-A



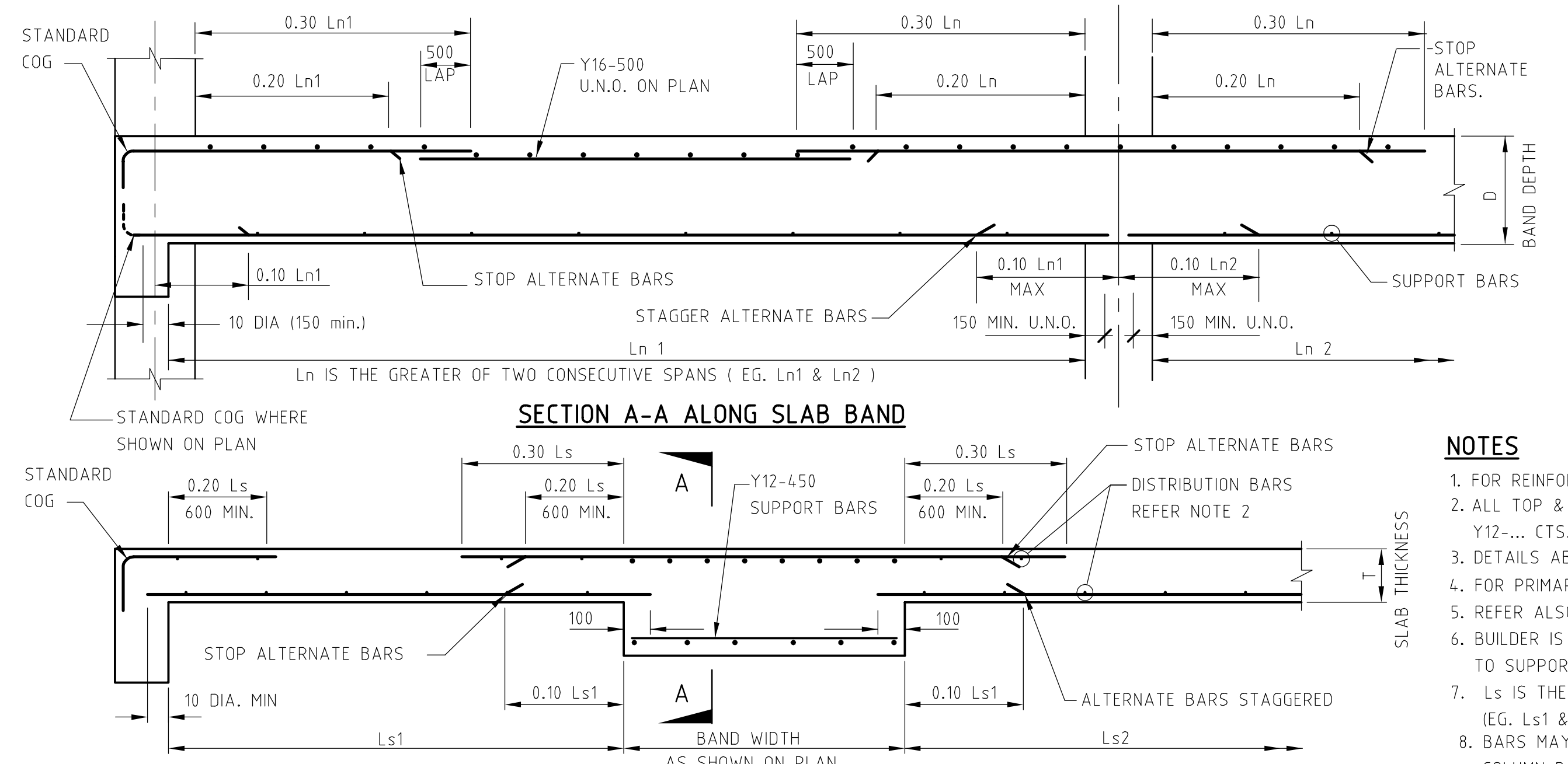
SECTION B-B



SECTION C-C

ROOF PURLINS
Z15019 PURLINS AT 1200 MAX. CTRS.
LAPPED 900mm OVER SUPPORT AND
WITH ONE ROW OF BRIDGING AS SHOWN

270mm THICK SLAB U.N.O.
0.75mm BONDEK PERMANENT FORMWORK
PROVIDE TWO ROWS OF PROPPING
RF1218 MESH TOP WITH N12-400
DISTRIBUTION BARS
← DENOTES DIRECTION BONDEK RIBS
180 DENOTES ALTERNATE SLAB THICKNESS



TYPICAL SECTION THROUGH SLAB BAND
TYPICAL BANDED SLAB DETAILS

NOTES

- FOR REINFORCEMENT SIZE & NUMBER SEE PLANS.
- ALL TOP & BOTTOM DISTRIBUTION BARS NOT SHOWN ON PLAN TO BE Y12-... CTS. LAPPED ...mm WITH MAIN BARS
- DETAILS ABOVE APPLY UNLESS SHOWN OTHERWISE ON PLANS
- FOR PRIMARY AND SECONDARY DIRECTIONS OF REINFORCEMENT SEE PLANS.
- REFER ALSO TO STANDARD NOTES
- BUILDER IS TO PROVIDE ADEQUATE BAR CHAIRS OR SUPPORT CAGES TO SUPPORT TOP REINFORCEMENT AT THE CORRECT CTS.
- Ls IS THE GREATER OF TWO CONSECUTIVE SPANS (EG. Ls1 & Ls2)
- BARS MAY BE ADJUSTED SIDWAYS TO AVOID COLUMN BARS.

No	DATE	APP'D	AMENDMENT
B	08.03.06		WALL CHANGES AROUND LIFT WALL
A	01.06.05		CHANGES PRIOR TO ISSUE FOR CONSTRUCTION

THIS DRAWING AND ALL OTHER INFORMATION AND DESIGNS THEREON ARE COPYRIGHTED AND REMAIN THE PROPERTY OF
ACCEPTANCE OF SAME CONSTITUTES AN AGREEMENT THAT NO PART OF THIS DRAWING SHALL BE REPRODUCED OR COMMUNICATED TO ANY PARTY OTHER THAN THE FIRST RECIPIENT WITHOUT THE PERMISSION OF AND IS SUBJECT TO RETURN UPON DEMAND.

RESEARCH & DEVELOPMENT BUILDING
FIRST FLOOR PLAN
SHEET 1

CLIENT		PROJECT	
East Ridge Park		Maroondah Highway, Mooroolbark	
DRAWN	DESIGNED	APPROVED	
M.C.S. 14.12.03			
DRAWING CHECK	ENGINEERING CHECK		

SCALE	DRAWING No	ISSUE
1 : 100	3250-S4	B