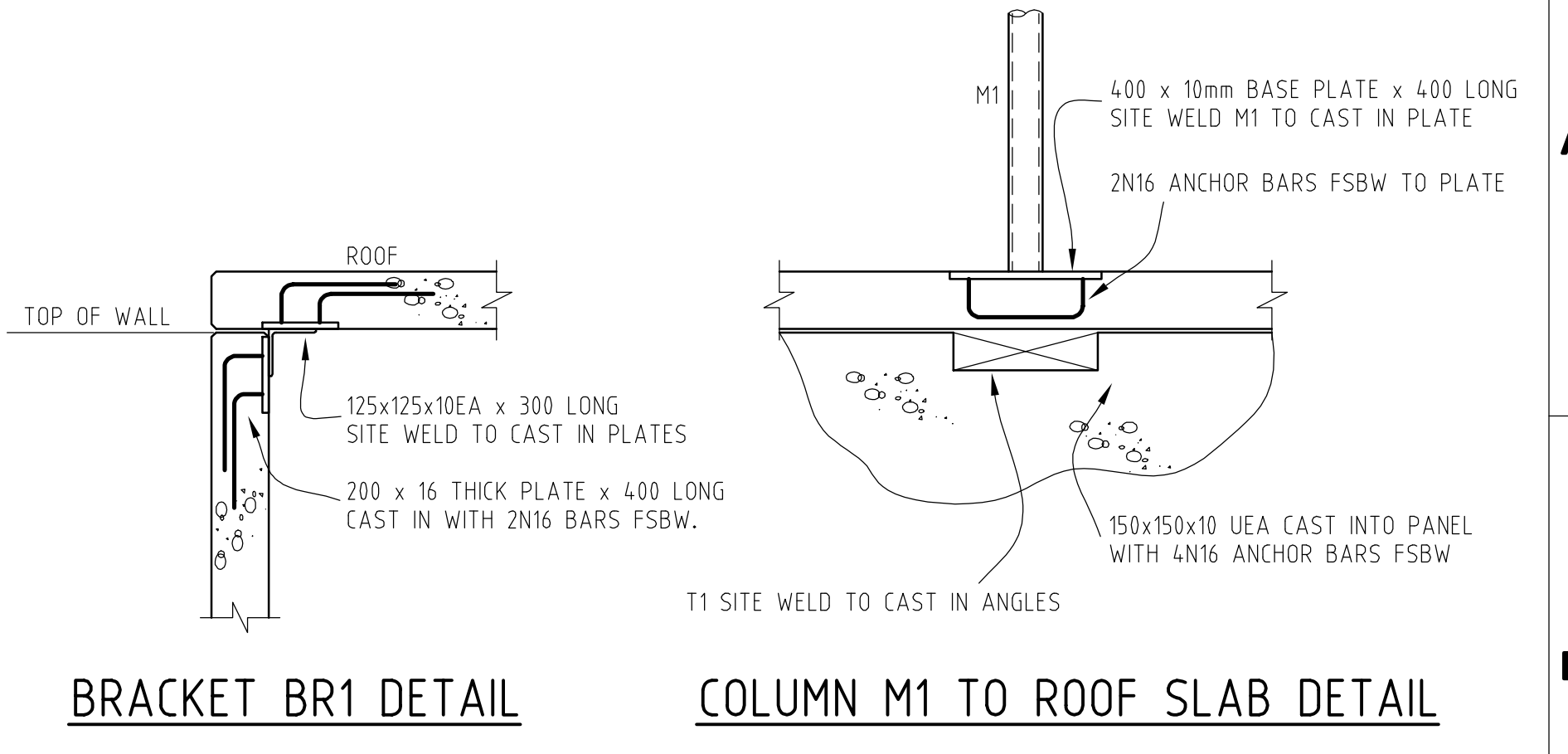


# DRAFT

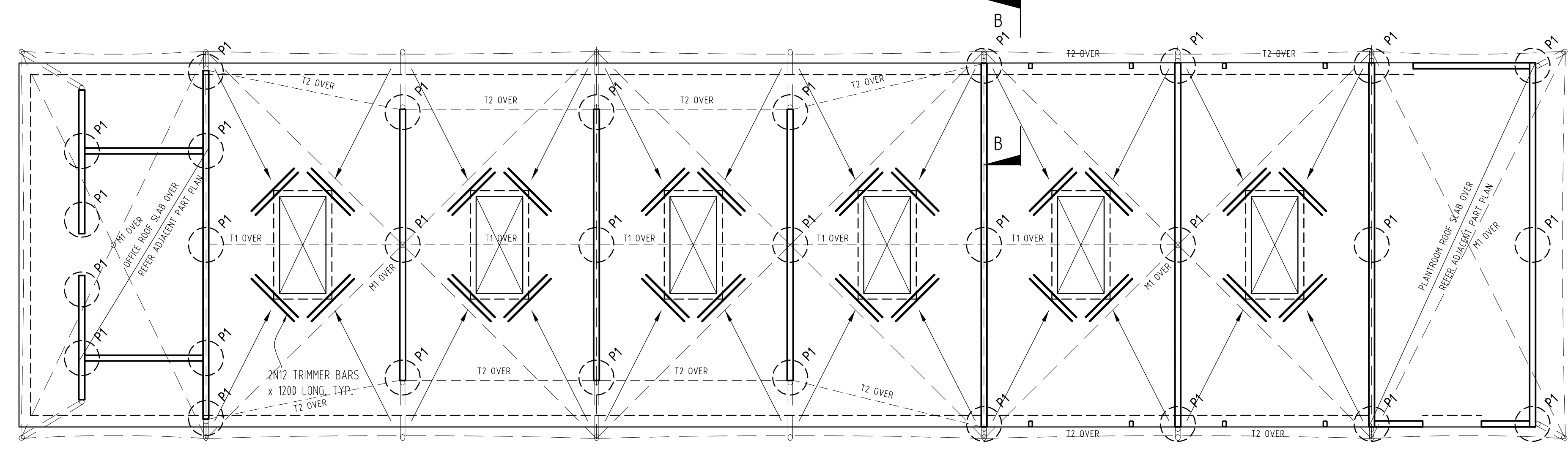
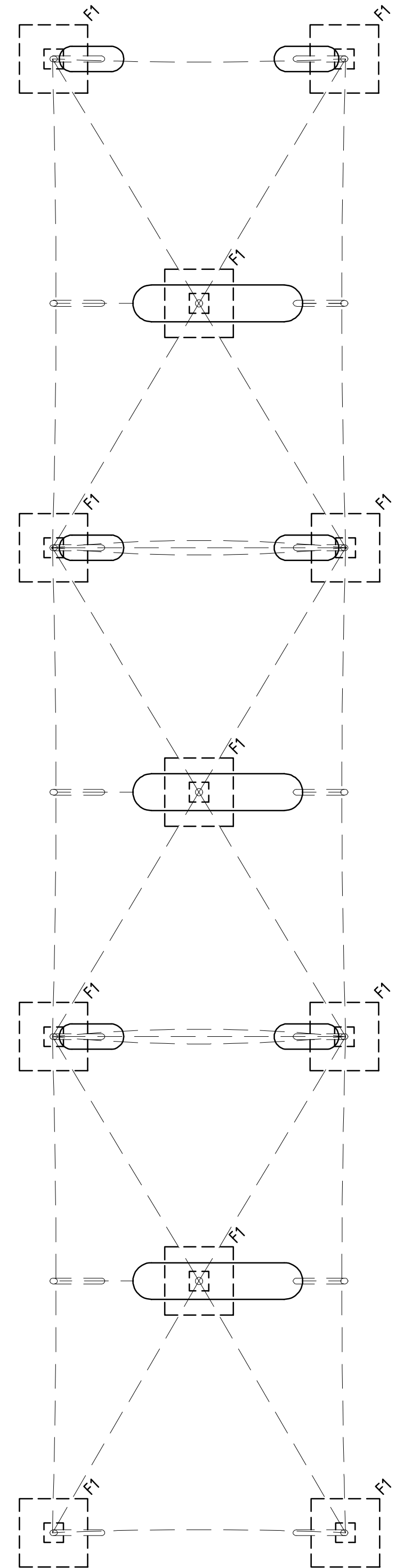
STEELWORK MEMBER SCHEDULE		
MARK	SIZE	REMARKS
S1		STRUCTURAL STEEL FRAMING TO SUPPORT MEMBRANE ROOF STRUCTURE REFER DOCUMENTATION BY WADE CONSULTING GROUP.
S1A		
S2		
M1		
T1	380 x 100 PFC	-
T2	125 x 125 x 6 SHS	-

NOTE: ALL STEELWORK TO BE HOT DIPPED GALVANISED.  
SITE WELDED CONNECTIONS TO BE MADE GOOD WITH 2 COATS  
ZINC RICH PRIMER.



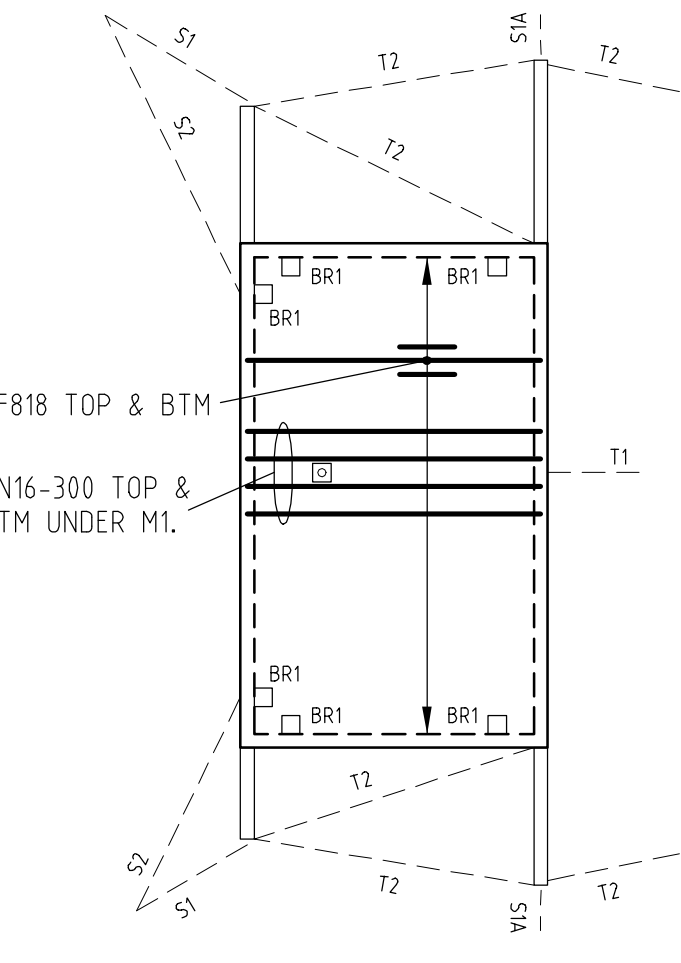
**BRACKET BR1 DETAIL**

**COLUMN M1 TO ROOF SLAB DETAIL**

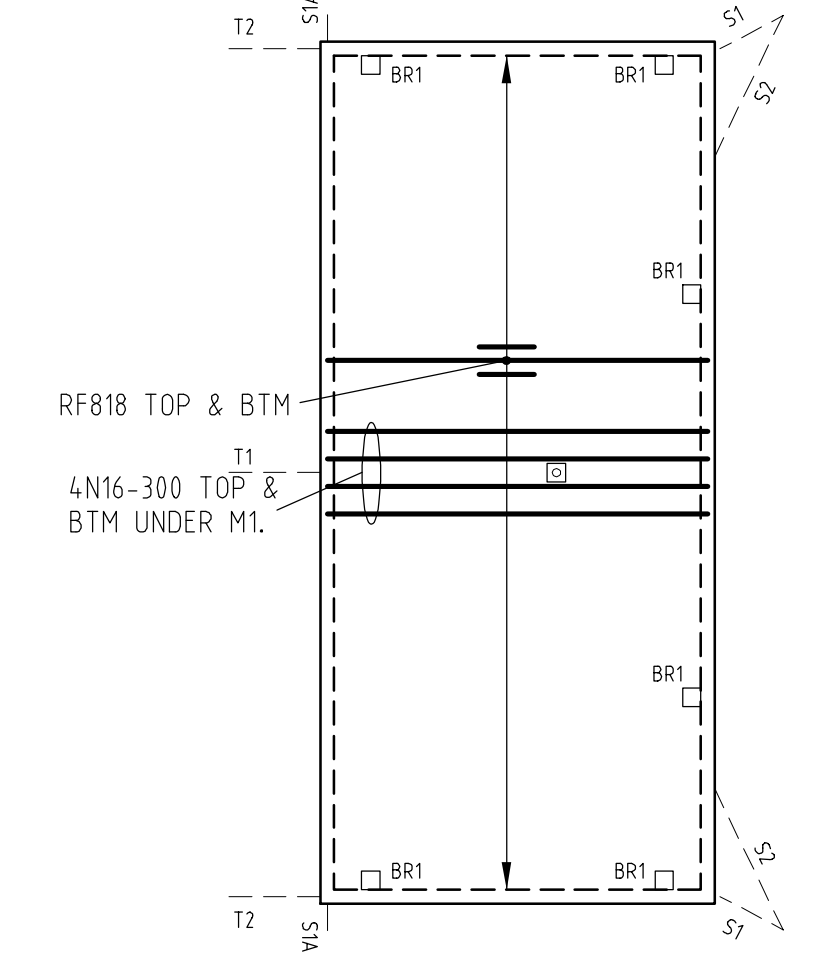


**SLAB AND FOOTING PLAN**

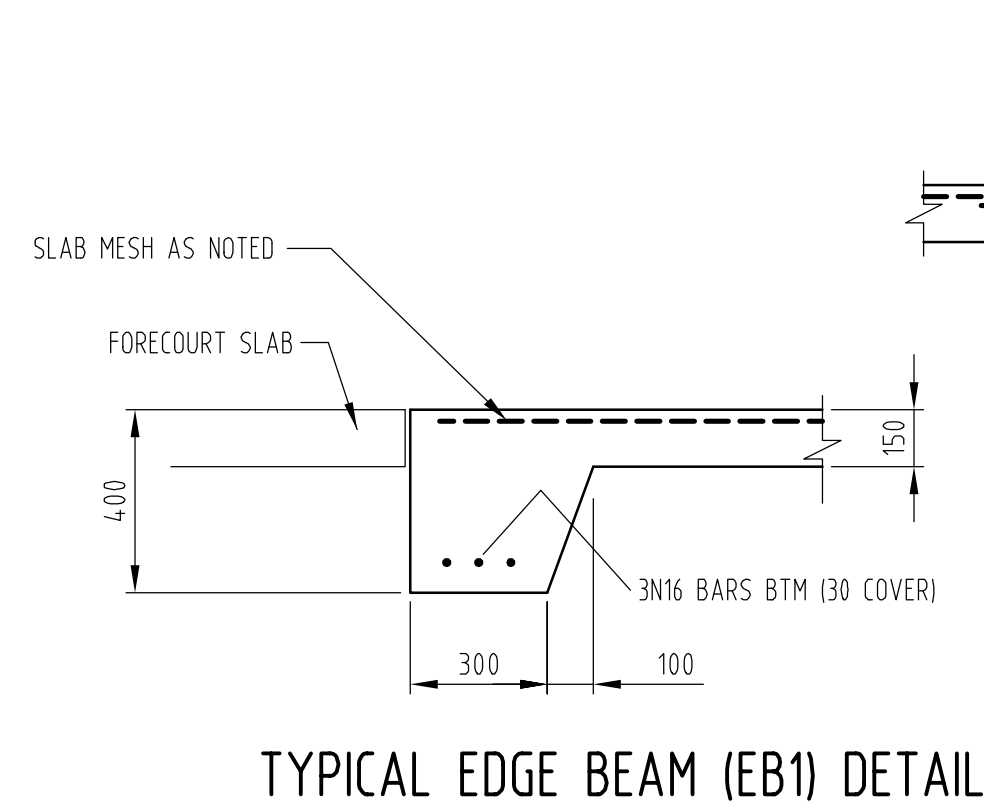
150mm THICK SLAB ON GROUND  
WITH SL92 TOP (25 COVER)  
ON WATERPROOF MEMBRANE AND  
50mm SAND BEDDING. TYP.  
NOTE : ROOF STEELWORK SHOWN OVER.



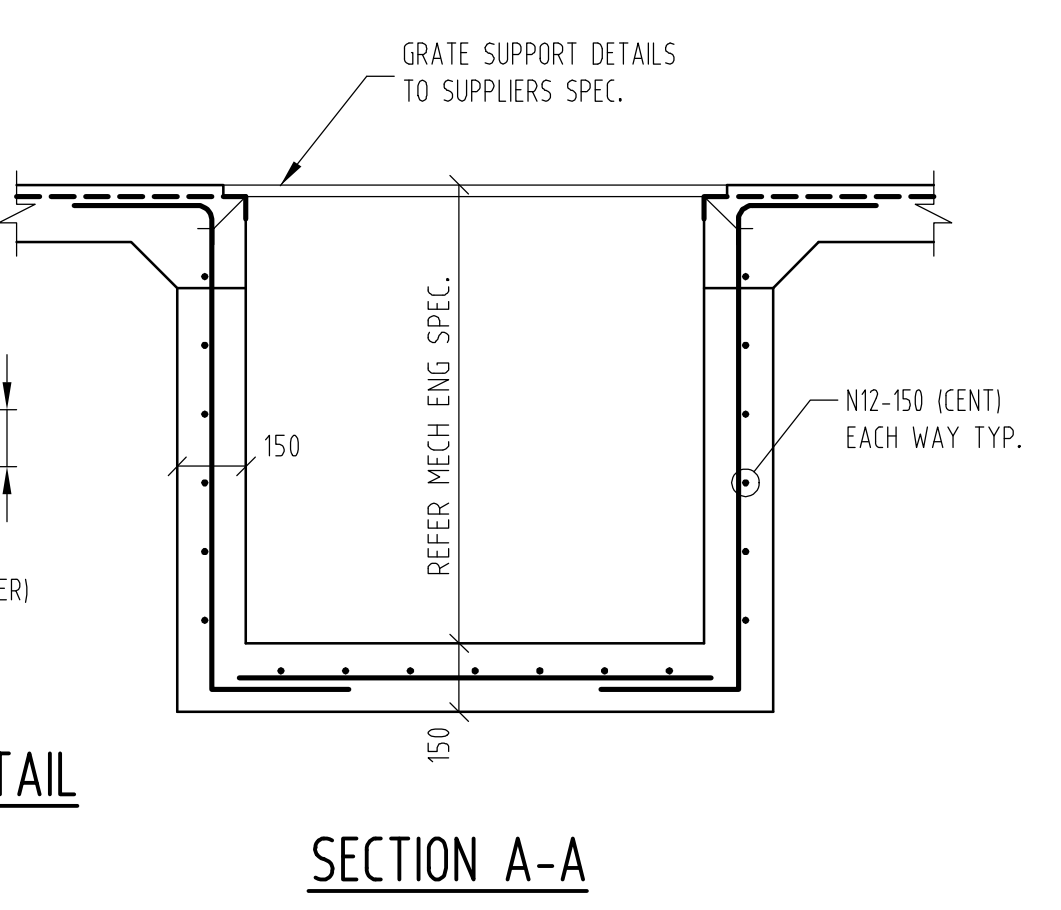
**PART PLAN OFFICE ROOF SLAB**  
150mm THICK PRECAST SLAB



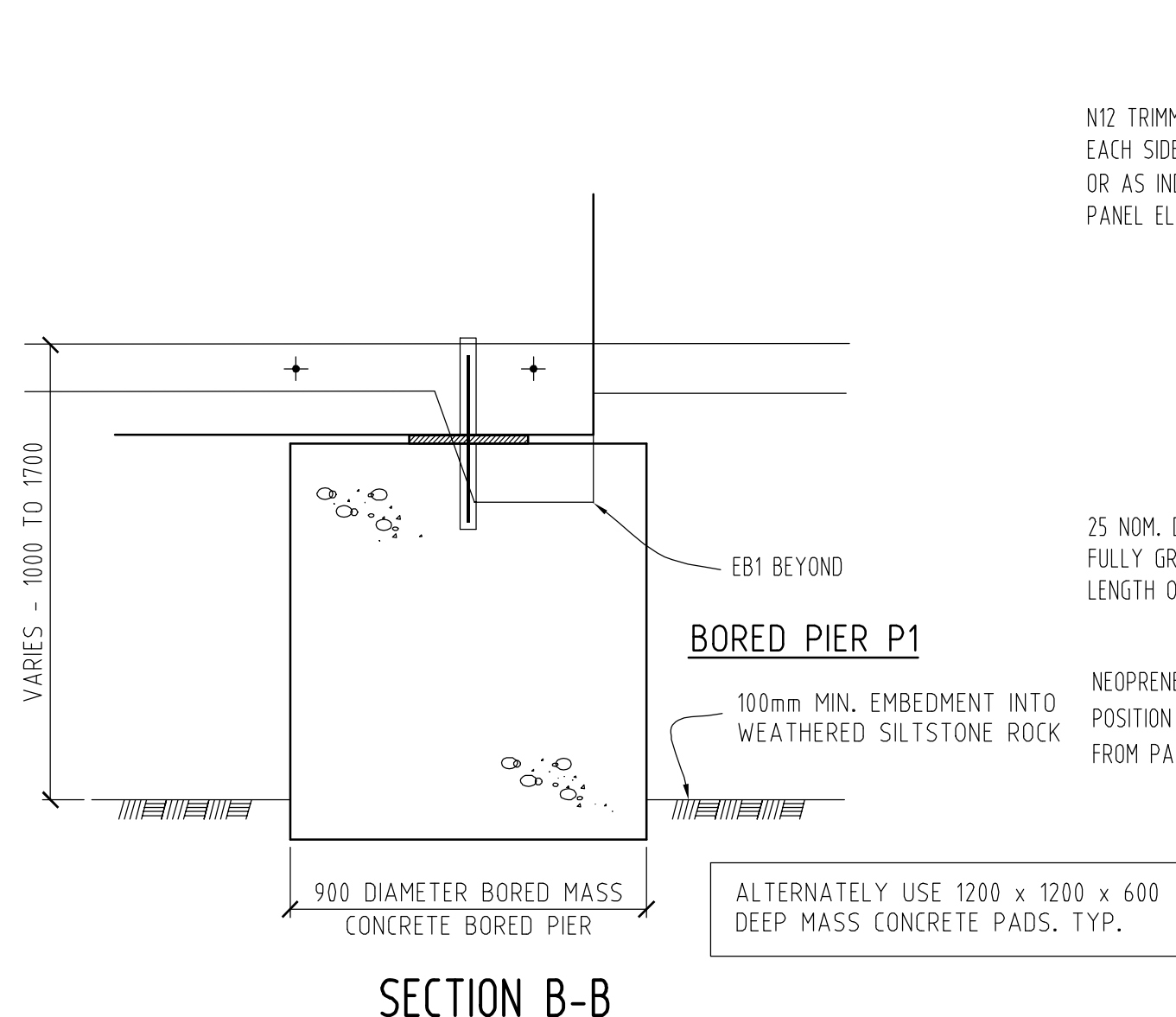
**PART PLAN PLANTROOM SLAB**  
180mm THICK PRECAST SLAB



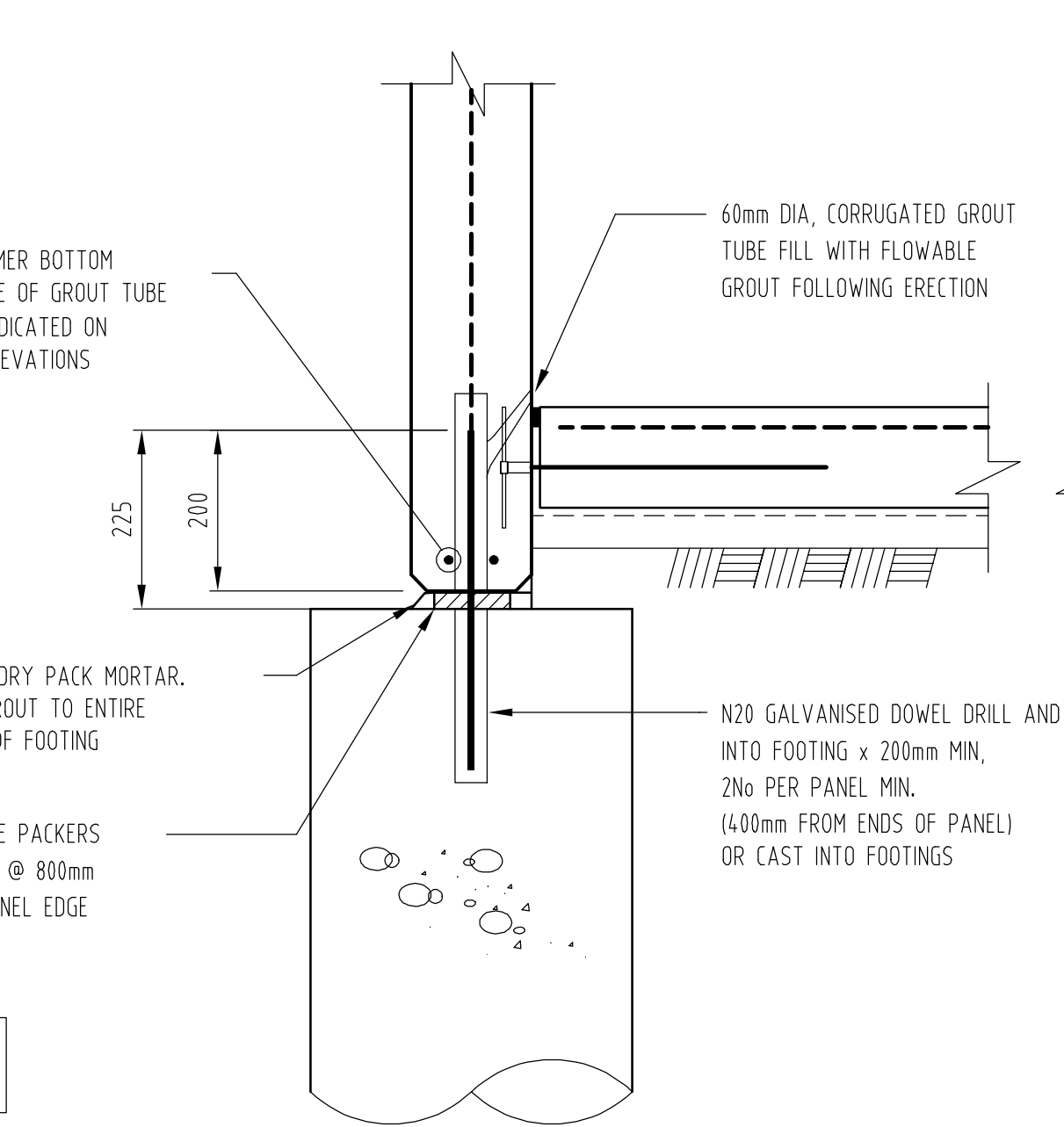
**TYPICAL EDGE BEAM (EB1) DETAIL**



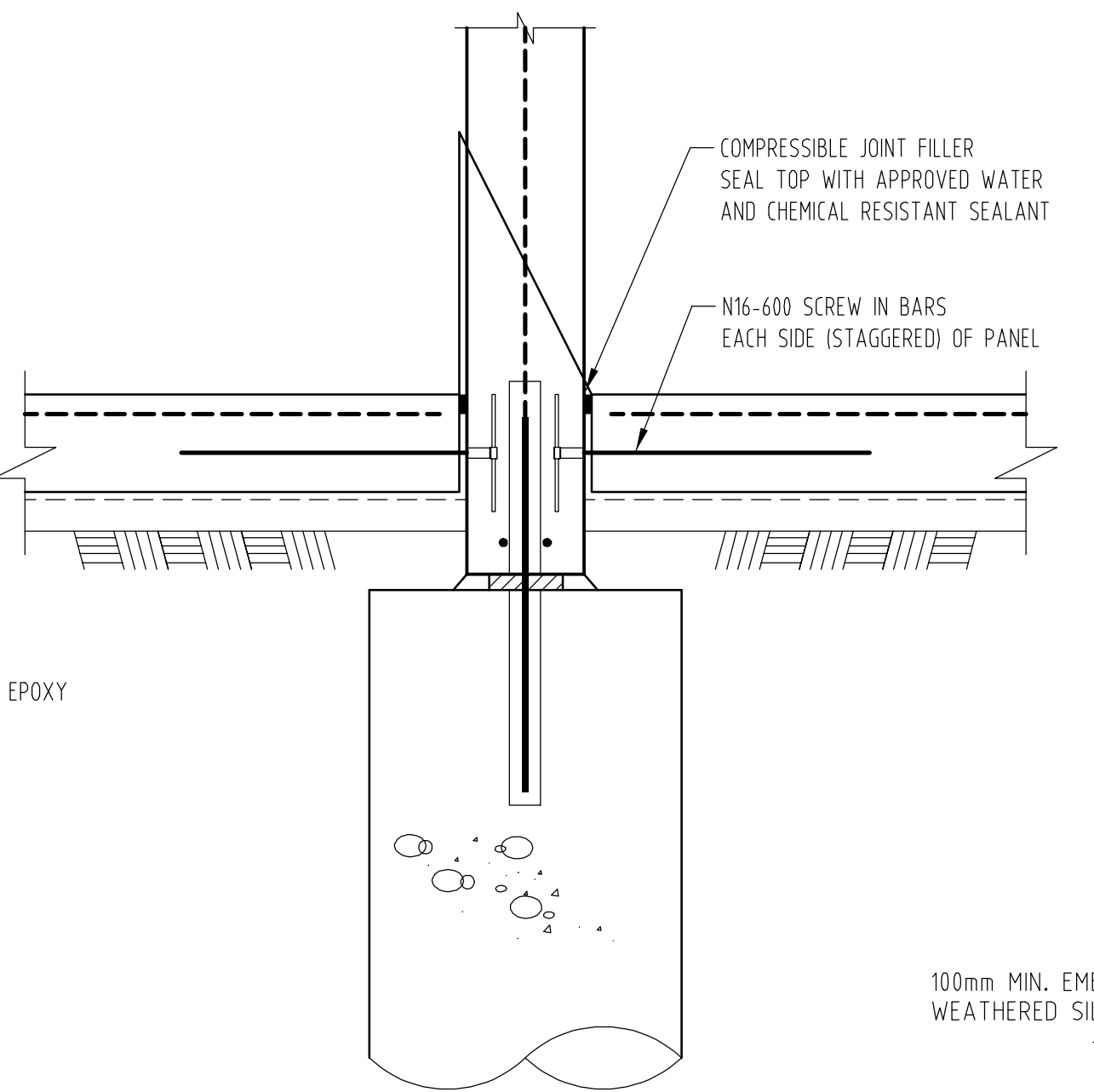
**SECTION A-A**



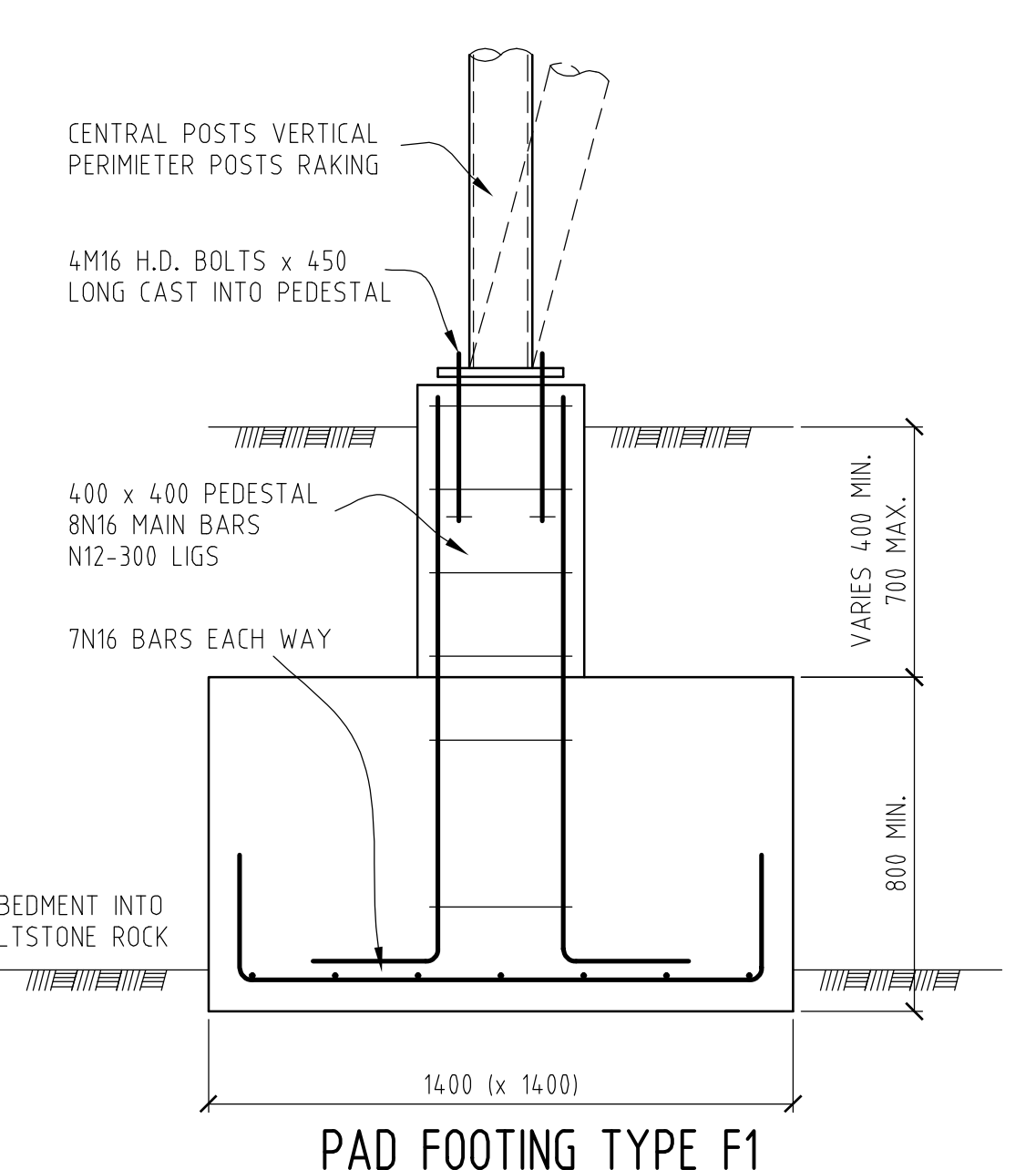
**SECTION B-B**



**TYPICAL PRECAST PANEL TO FOOTING**



**INTERNAL PRECAST PANEL BASE DETAIL**



**PAD FOOTING TYPE F1**

No	DATE	APP'D	AMENDMENT

THIS DRAWING AND ALL OTHER INFORMATION AND DESIGNS THEREON ARE COPYRIGHT AND REMAIN THE PROPERTY OF ACCEPTANCE OF SAME CONSTITUTES AN AGREEMENT THAT NO PART OF THIS DRAWING SHALL BE REPRODUCED OR COMMUNICATED TO ANY PARTY OTHER THAN THE FIRST RECIPIENT WITHOUT THE PERMISSION OF AND IS SUBJECT TO RETURN UPON DEMAND.

## FOOTING PLAN & DETAILS

CLIENT		
PROJECT East Ridge Park Maroondah Highway, Mooroolbark		
DRAWN M.C.S.	DESIGNED	APPROVED
DRAWING CHECK	ENGINEERING CHECK	

SCALE 1:100 & 20	DRAWING No 3250-S2	ISSUE
------------------	--------------------	-------